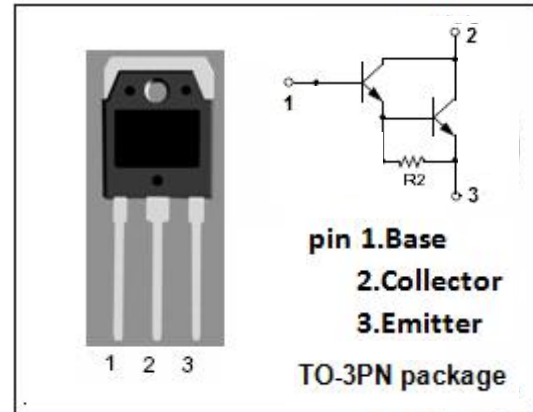


isc Silicon NPN Darlington Power Transistor
2SD2390
DESCRIPTION

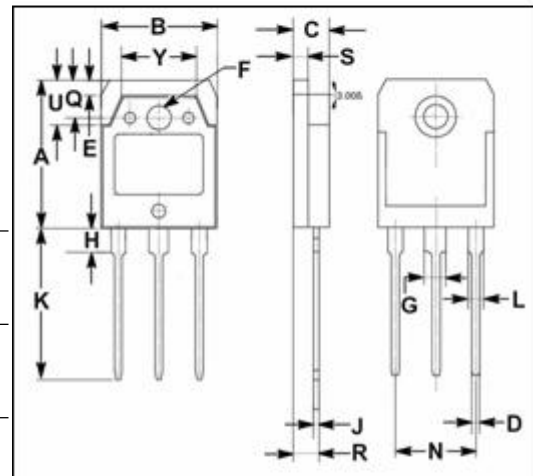
- High DC Current Gain-
: $h_{FE} = 5000(\text{Min})@I_C = 7A$
- Low-Collector Saturation Voltage-
: $V_{CE(\text{sat})} = 2.5V(\text{Max.})@I_C = 7A$
- Complement to Type 2SB1560
- Minimum Lot-to-Lot variations for robust device performance and reliable operation


APPLICATIONS

- Designed for audio, series regulator and general purpose applications.

ABSOLUTE MAXIMUM RATINGS($T_a = 25^\circ\text{C}$)

SYMBOL	PARAMETER	VALUE	UNIT
V_{CBO}	Collector-Base Voltage	160	V
V_{CEO}	Collector-Emitter Voltage	150	V
V_{EBO}	Emitter-Base Voltage	5	V
I_C	Collector Current-Continuous	10	A
I_B	Base Current- Continuous	1	A
P_C	Collector Power Dissipation @ $T_C = 25^\circ\text{C}$	100	W
T_J	Junction Temperature	150	$^\circ\text{C}$
T_{stg}	Storage Temperature Range	-55~150	$^\circ\text{C}$



DIM	mm	
	MIN	MAX
A	19.60	20.30
B	15.50	15.70
C	4.70	4.90
D	0.90	1.10
E	1.90	2.10
F	3.40	3.60
G	2.90	3.20
H	3.20	3.40
J	0.595	0.605
K	19.80	20.70
L	1.90	2.20
N	10.89	10.91
Q	4.90	5.10
R	3.35	3.45
S	1.995	2.100
U	5.90	6.20
Y	9.90	10.10

isc Silicon NPN Darlington Power Transistor**2SD2390****ELECTRICAL CHARACTERISTICS** $T_C=25^{\circ}\text{C}$ unless otherwise specified

SYMBOL	PARAMETER	CONDITIONS	MIN	TYP.	MAX	UNIT
$V_{(BR)CEO}$	Collector-Emitter Breakdown Voltage	$I_C=30\text{mA}; I_B=0$	150			V
$V_{CE(sat)}$	Collector-Emitter Saturation Voltage	$I_C=7\text{A}; I_B=7\text{mA}$			2.5	V
$V_{BE(sat)}$	Base-Emitter Saturation Voltage	$I_C=7\text{A}; I_B=7\text{mA}$			3.0	V
I_{CBO}	Collector Cutoff Current	$V_{CB}=160\text{V}; I_E=0$			100	μA
I_{EBO}	Emitter Cutoff Current	$V_{EB}=5\text{V}; I_C=0$			100	μA
h_{FE}	DC Current Gain	$I_C=7\text{A}; V_{CE}=4\text{V}$	5000			

◆ **h_{FE} Classifications**

O	P	Y
5000-12000	6500-20000	15000-30000

NOTICE:

ISC reserves the rights to make changes of the content herein the datasheet at any time without notification. The information contained herein is presented only as a guide for the applications of our products.

ISC products are intended for usage in general electronic equipment. The products are not designed for use in equipment which require specialized quality and/or reliability, or in equipment which could have applications in hazardous environments, aerospace industry, or medical field. Please contact us if you intend our products to be used in these special applications.

ISC makes no warranty or guarantee regarding the suitability of its products for any particular purpose, nor does ISC assume any liability arising from the application or use of any products, and specifically disclaims any and all liability, including without limitation special, consequential or incidental damages.